

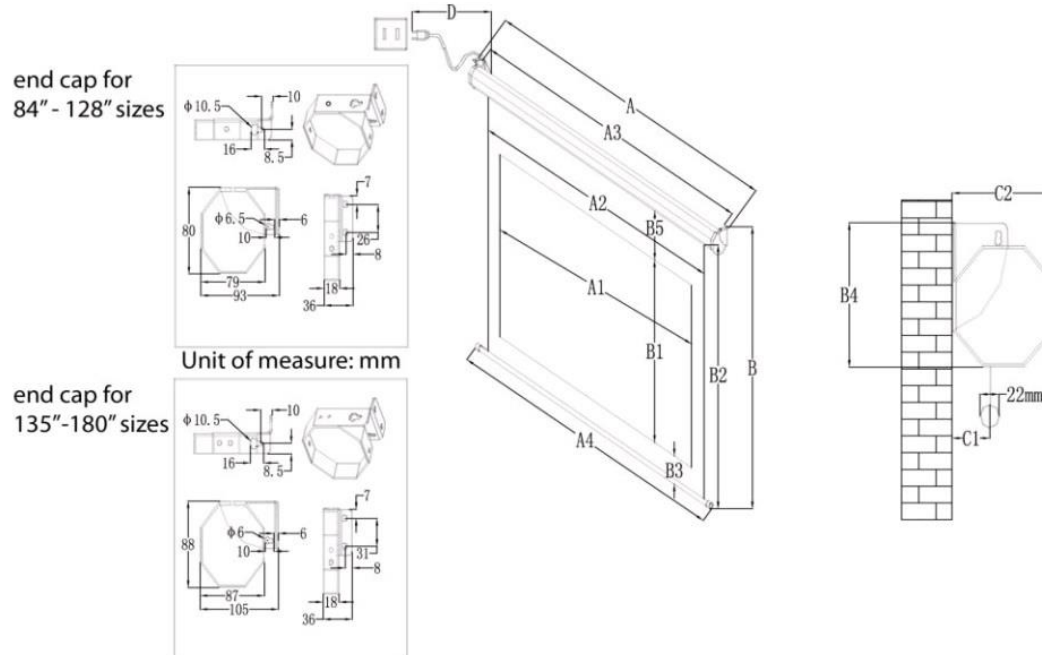
Spectrum Series Dimensions Table

Unit: mm

Model Number	Nominal Diagonal	Case Length (A)	View Width (A1)	Screen Width (A2)	Screw Hole Distance (A3)	Weight Bar Length (A4)	Overall Height (B)	View Height (B1)	B2	B3	End cap Height (B4)	Top Black Border (B5)	C1	End cap Width (C2)	Power Cord Length (D)
Electric84H	2133	2168	1860	1936	2113	2016	1402	1046	1309	60	93	203	17	80	1800
Electric100H	2540	2544	2214	2314	2489	2394	1551	1245	1458	60	93	152	17	80	1800
Electric110H	2794	2773	2435	2535	2718	2615	1726	1370	1633	60	93	203	17	80	1800
Electric125H	3175	3103	2769	2869	3048	2956	1846	1557	1753	60	93	203	17	80	1800
Electric84XH	2133	2168	1860	1936	2113	2016	1402	1046	1309	60	93	203	17	80	1800
Electric100XH	2540	2544	2214	2314	2489	2394	1551	1245	1458	60	93	152	17	80	1800
Electric110XH	2794	2773	2435	2535	2718	2615	1726	1370	1633	60	93	203	17	80	1800
Electric125XH	3175	3103	2769	2869	3048	2956	1846	1557	1753	60	93	203	17	80	1800
Electric84V	2133	2016	1707	1783	1961	1863	1636	1280	1543	60	93	203	17	80	1800
Electric100V	2540	2366	2032	2132	2311	2212	1804	1524	1711	60	93	127	17	80	1800
Electric120V	3175	2773	2438	2538	2718	2618	2083	1829	1990	60	93	102	17	80	1800
Electric85X	2159	2140	1831	1907	2085	1987	1399	1144	1306	60	93	102	17	80	1800
Electric90X	2286	2248	1939	2015	2193	2095	1466	1212	1373	60	93	102	17	80	1800
Electric106 NX	2692	2618	2283	2383	2563	2463	1682	1427	1589	60	93	102	17	80	1800
Electric128 NX	3251	3091	2756	2832	3036	2937	1978	1723	1885	60	93	102	17	80	1800

The listed measurements are for general reference only. Please contact Elite Screens to verify product design and dimensions before attempting to integrate its products with any structural or furniture modification. Although a manufacturer may offer product advice, it may be taken or disregarded at the integrator's discretion. Elite Screens will not be held responsible or be otherwise liable for faulty installations.

Note: Data Error may be ±1"





Electric Motorized Projection Screen

Spectrum Series

User's Guide

Important Safety & Warning Precautions

Make sure to read this user's guide and follow the procedure below.

Caution: The screen's Black Top Drop is already set to its maximum drop distance. There is NO extra Black Top Drop in the roller. Please be aware of this as it will void your warranty with Elite Screens. Unapproved changes or modifications (except for cutting the power cord for hardwire installations) to this unit are prohibited and will void your warranty. For more information, please contact our Technical Support Department at (877) 511-1211 Ext. 604.

- Please retain this user's guide for future reference.
- To avoid damaging the unit, do not use with any unauthorized accessories not recommended by the manufacturer.
- Handle the unit carefully during transportation to avoid any damages.
- To ensure safe and reliable operation, direct connection to a properly grounded power source is advised.
- The power outlet supplying power to the unit should be close to the unit and easily accessible.
- Do not install the unit on uneven or inclined surfaces.
- Do not put heavy objects on the power cord and position it properly to avoid creating a trip obstacle.
- Never overload the power cord to prevent an electric shock or fire due to a loose contact or a short circuit.
- There are not user serviceable parts in this unit. Do not attempt to disassemble this unit by yourself. No one except authorized technicians can open and make repairs to this unit.
- Make sure the power source this unit is connected to has a continuous power flow.
- If there is need to use an extension cord, make sure the cord has an equal rating as the appliance to avoid overheat.
- Do not handle the power plug when your hands are wet or your feet are in contact with water.

Do not use this unit under the following circumstances.

- Disconnect the power cord under the conditions of heavy rain, wind, thunder or lightning.
- Avoid direct Sunshine, rain shower and moisture.
- Keep away from fire sources and high temperature to prevent this device from overheating.
- Cut off the power supply first before transportation or maintenance.
- Fully disconnect from the power supply when the unit is not in use for a long period of time, as should be done with any other electric household appliance.
- To avoid possible injury and/or an electric shock, do not attempt to use the screen if there is obvious damage or if there are any evident broken parts.

Installation Warning:

Due to various installation environments, the instructions provided in this user's guide are for reference only. Please consult a professional installation company for further installation and safety advice. The installer must insure that proper mounting hardware is used to provide adequate strength suitable for the installation. Elite Screens is not liable for any faulty installations.

Individual modifications to this product are prohibited and will void the warranty with the manufacturer. Please contact Elite Screens Customer Service for any questions.

NOTE:

This equipment has been tested and found to comply with the limits for a Class B digital device, pursuant to Part 15 of the FCC Rules.

These limits are designed to provide reasonable protection against harmful interference in a residential installation. This equipment generates and can radiate radio frequency energy and, if not installed and used in accordance with the instructions, may cause harmful interference to radio communications.

However, there is no guarantee that the interference will not occur on a particular installation. If this equipment causes harmful interference to radio or television reception, which can be determined by turning the equipment off and on, the user is encouraged to try to correct the interference by one or more of the following measures.

- ✓ **Reorient or relocate the receiving antenna of the device which may be causing the interference.**
- ✓ **Increase the separation between the screen and the device's receiver.**
- ✓ **Connect the equipment into a different power outlet other than the device.**

Pre-Installation

1. Carefully unpack the screen.
2. Always handle the screen in a leveled position on a clean surface.
3. In order to protect the screen from exposure to stains, keep the screen out of contact with foreign particles such as dust, sawdust, and/or liquids.

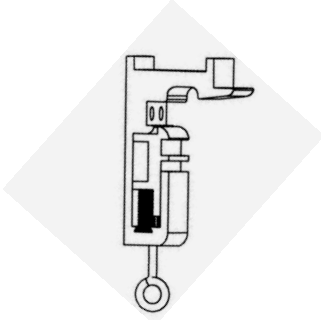
NOTE

Regardless of the mounting method, the screen should be securely supported so that the vibration or pulling on the viewing surface will not cause the casing to become loose or fall. The installer must insure that the fasteners used are of adequate strength and suitable for the installation location.

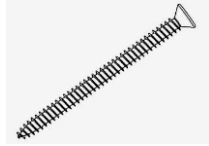
Hardware Parts List for the Spectrum2 Series

Please make sure all parts listed below are included before proceeding with the installation.

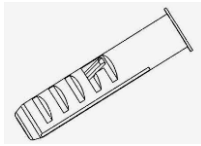
a.



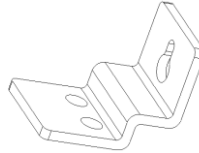
b.



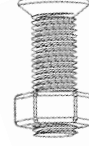
c.



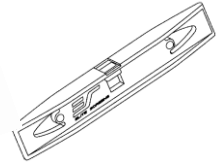
d.



e.



f.



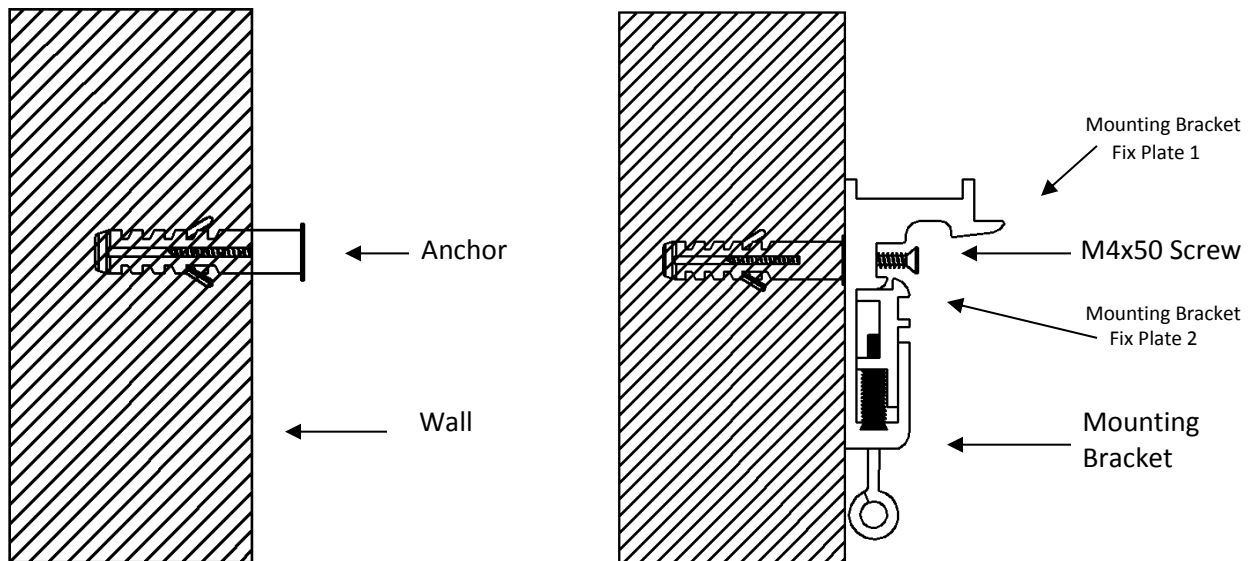
Hardware Parts List	QTY
a. Mounting Bracket	2
b. M4x50 Screw	4
c. M10 Anchor	4
d. Suspended Ceiling Bracket Connector	2
e. M5x15 Screw & Bolt	4
f. Bubble Level	1

Installation Instructions

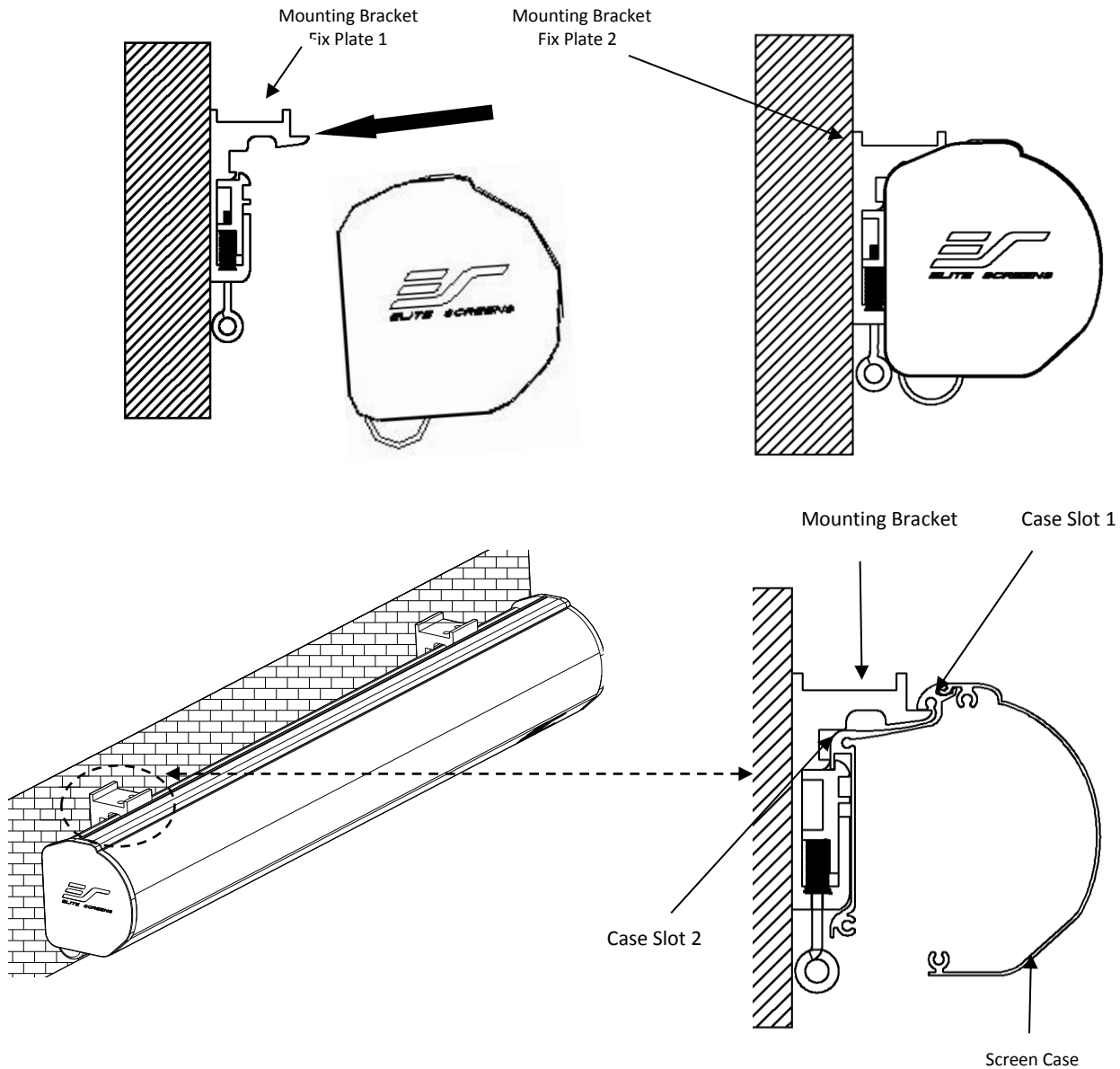
Please consult a professional installer. Elite Screens is not liable for faulty installations.

Flush Mount to the Wall

1. Mark the location of where the screen is to be installed, drill your holes, and insert the M10 Anchors (c).
2. Install the Mounting Brackets (a) to the wall and secure with the M4x50 Screws (b).

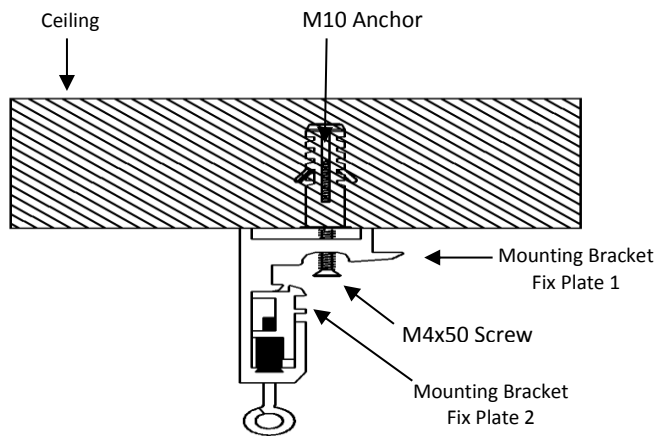


3. Attach the screen to the Mounting Bracket by inserting the top of the case to the first fix plate, and securing the back of the case to the second Fix Plate. Make sure the case slots are securely attached to the Mounting Bracket.

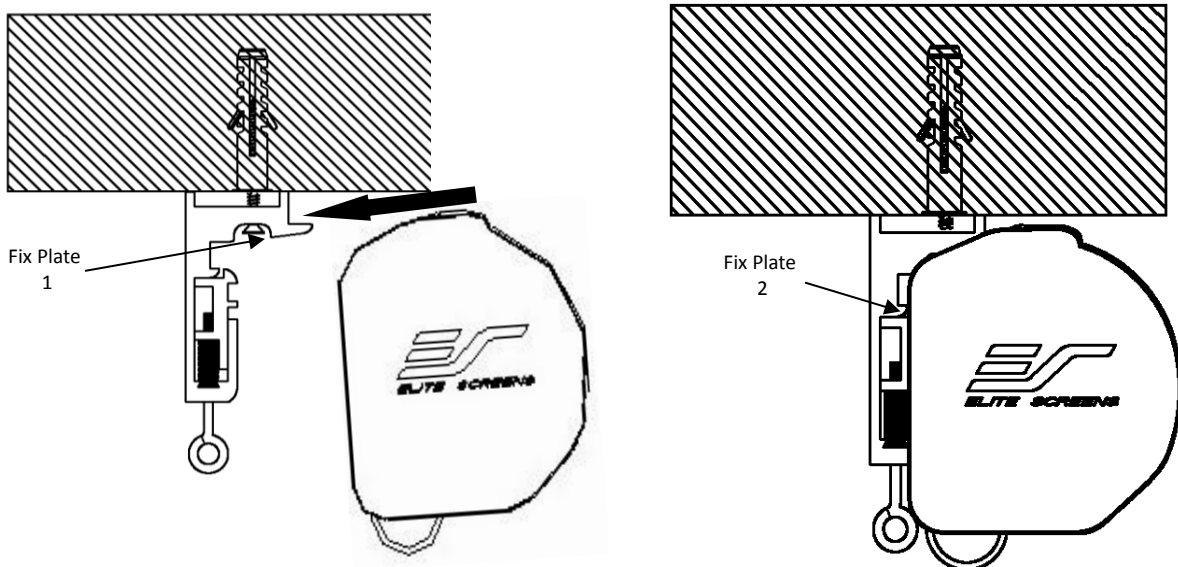


Flush Mount to the Ceiling

1. Mark the location of where the screen is to be installed, drill your holes, and insert the M10 Anchors (c).
2. Install the Mounting Brackets (a) to the ceiling and secure with the M4x50 Screws (b).

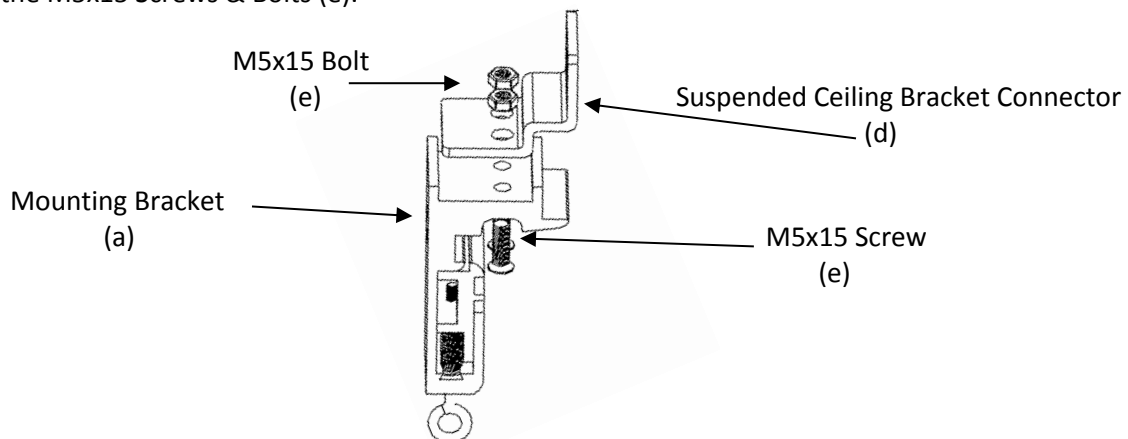


3. Attach the screen to the Mounting Bracket by inserting the top of the case to the first Fix Plate, and securing the back of the case to the second Fix Plate. Make sure the case slots are securely attached to the Hanging Bracket.

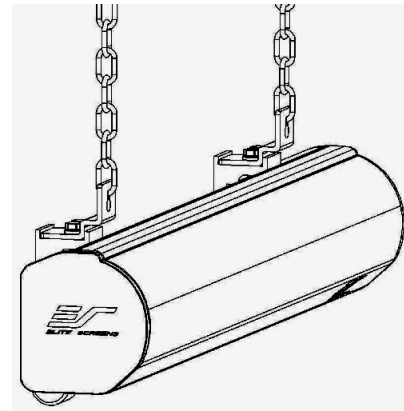
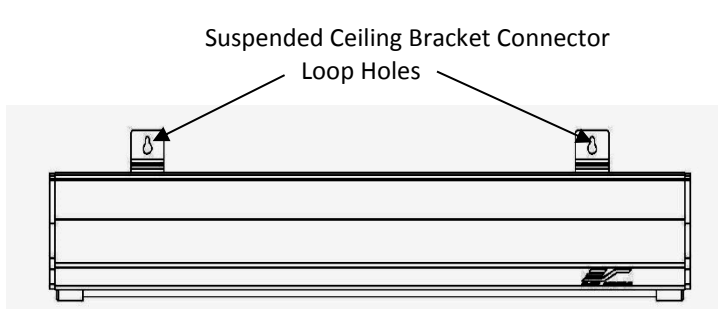


Suspended Ceiling using Chains (additional hardware required)

1. You can also hang the screen on a ceiling by using chains (not included).
2. Connect the Suspended Ceiling Bracket Connector (d) to the Mounting Bracket (a) and secure with the M5x15 Screws & Bolts (e).

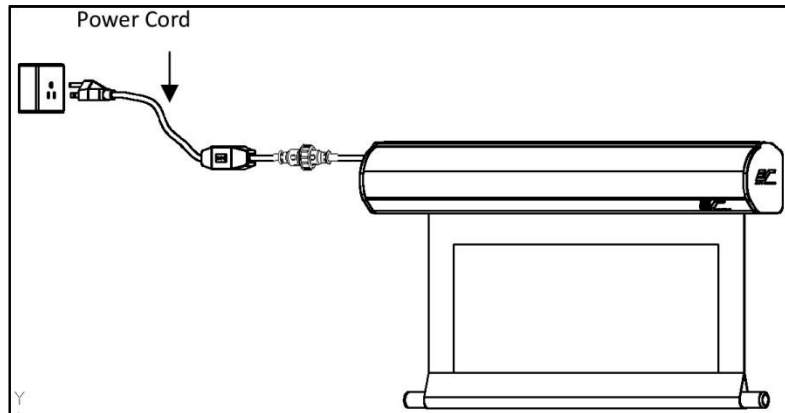
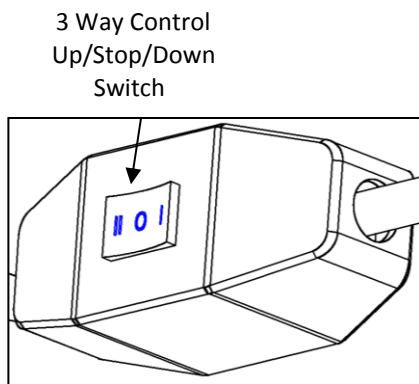


3. Insert chains (not included) through the loop holes of the Suspended Ceiling Bracket Connector (d).



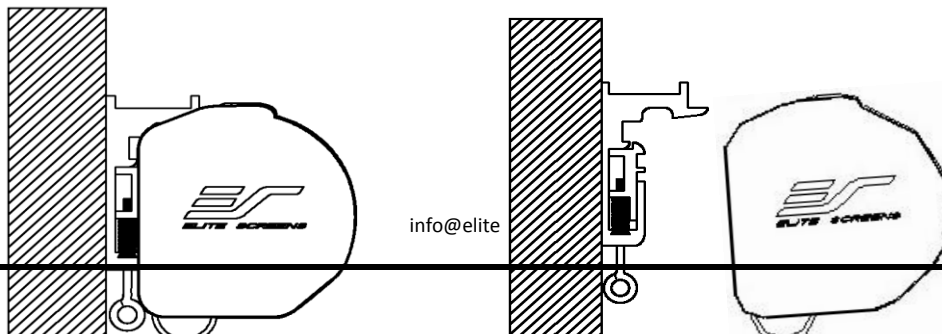
Built in 3 Way Control Switch

1. The PowerMax Series comes with a 3 Way Control Switch attached to the Power Cord, which is 3.5 meters in length.
2. Use the provided Bubble Leveler (f) to ensure the screen is level before plugging in the power cord.




Screen removal from Mounting Brackets

1. Pull down on the Mounting Bracket Release Tab and remove the bottom of the case first, away from the wall/ceiling, followed by the top of the case.




Release Tab


Pull Bottom of case first away from wall/ceiling.



VMAX2/Spectrum Vertical Limit Switch Adjustment Instructions

Caution: The screen's **Top Black Drop** is already set to its maximum drop distance. There is **NO** extra black top drop in the roller. Attempting to increase the drop will damage the motor and VOID your warranty with Elite Screens. Do not use these instructions to try and get more out of your standard black masking drop. Please contact Elite Screens before making any adjustments.

1. Allen Wrench



Fig. 1

5/32" Allen Wrench

2. Limit Adjustment Switches

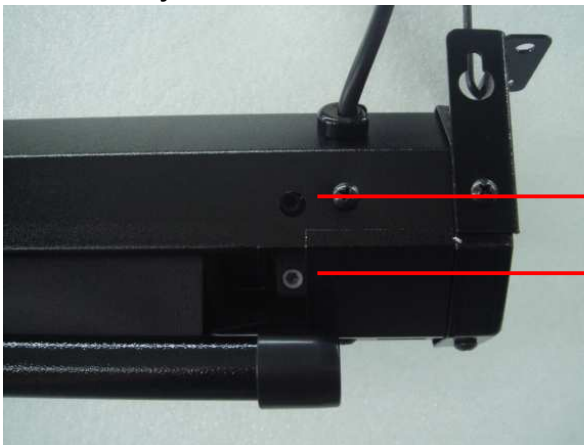


Fig. 2

UP adjustment switch

DOWN adjustment switch

(Note: When turning the limit switches, bear in mind that one full-circle turn in either direction will create a one inch adjustment)

3. Adjusting Retraction Position (shown in Fig. 3 – Fig. 7)



Fig. 3

If the screen will not retract completely (as shown in Fig. 3), use the following steps.



Fig. 4

Use remote to retract screen as much as possible.

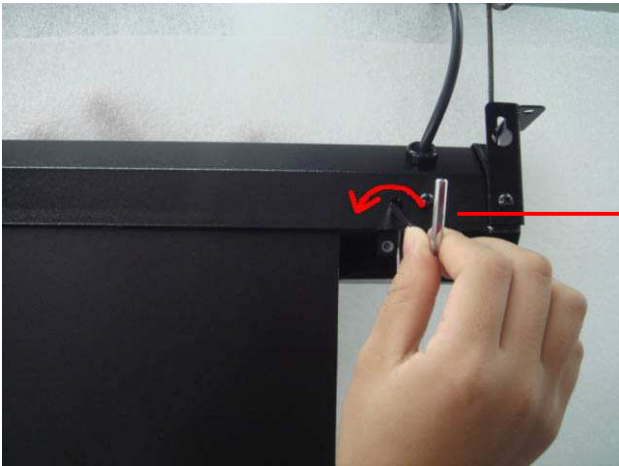


Fig. 5

Use your allen-wrench to turn the UP switch counter-clockwise.

Note: Adjustment should be made while facing the back of the screen.



Fig. 6

One full turn will retract your screen by 1". In order to see adjustment, deploy and retract the screen. (**Warning:** If you continue to rotate the switch once the weight bar fits flush with the casing, the screen will attempt to retract further, causing damage to the unit. DO NOT over turn the switch).



Fig. 7

If the screen retracts too far, just rotate the UP adjustment switch 2-3 turns clockwise, and the screen will lower.

Note: Adjustment should be made while facing the back of the screen.

4. Adjusting the Top Black Masking (shown in Fig. 8 – Fig. 12)

Note: All electric screens come with standard top black masking and they cannot be dropped further. **DO NOT** use these instructions to try to get more out of your standard black masking drop.



Fig. 8

If you need to decrease the amount of top black masking, refer to the following steps.



Fig. 9

Use your remote to fully lower the screen.

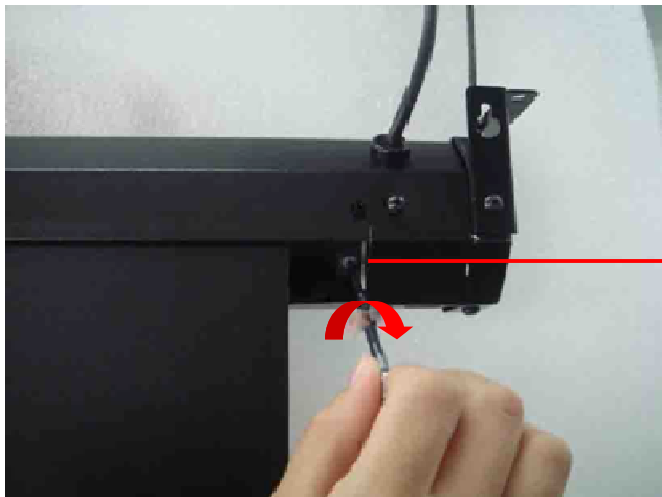


Fig. 10

Use your allen-wrench to turn the DOWN switch clockwise

Note: Adjustment should be made while facing the back of the screen.

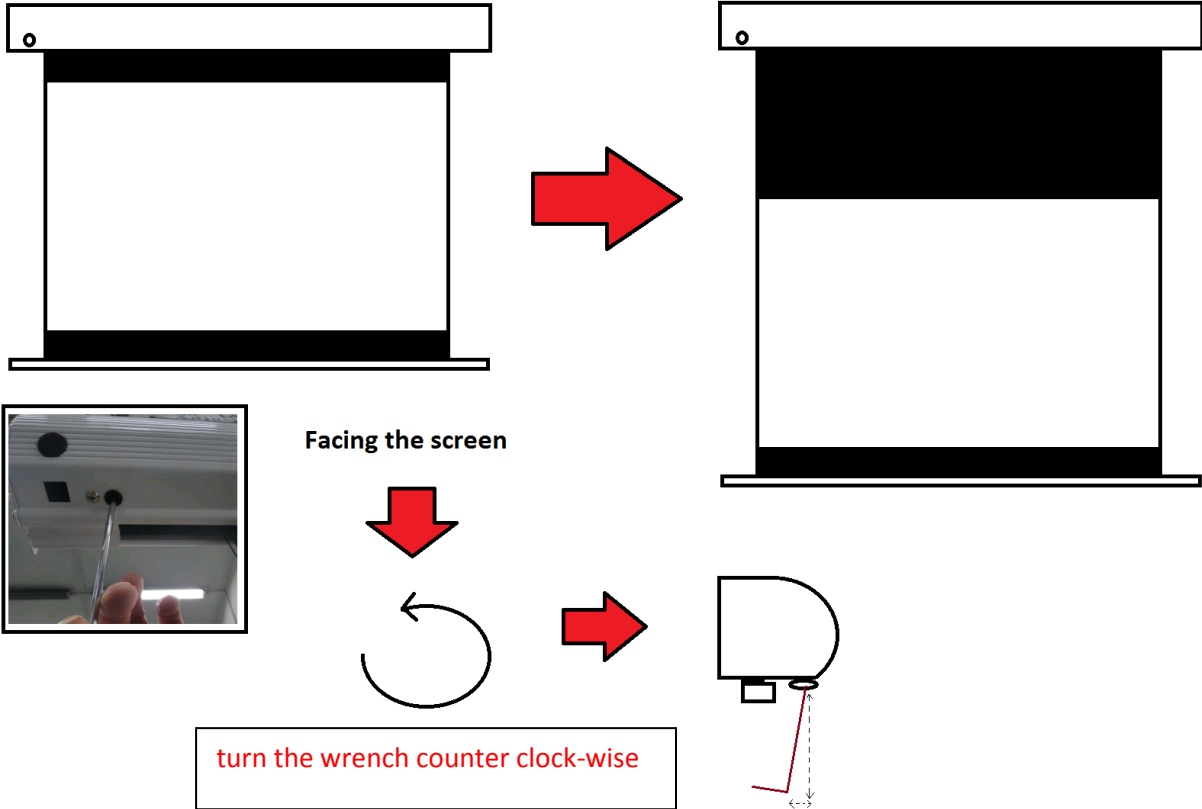


Fig. 11

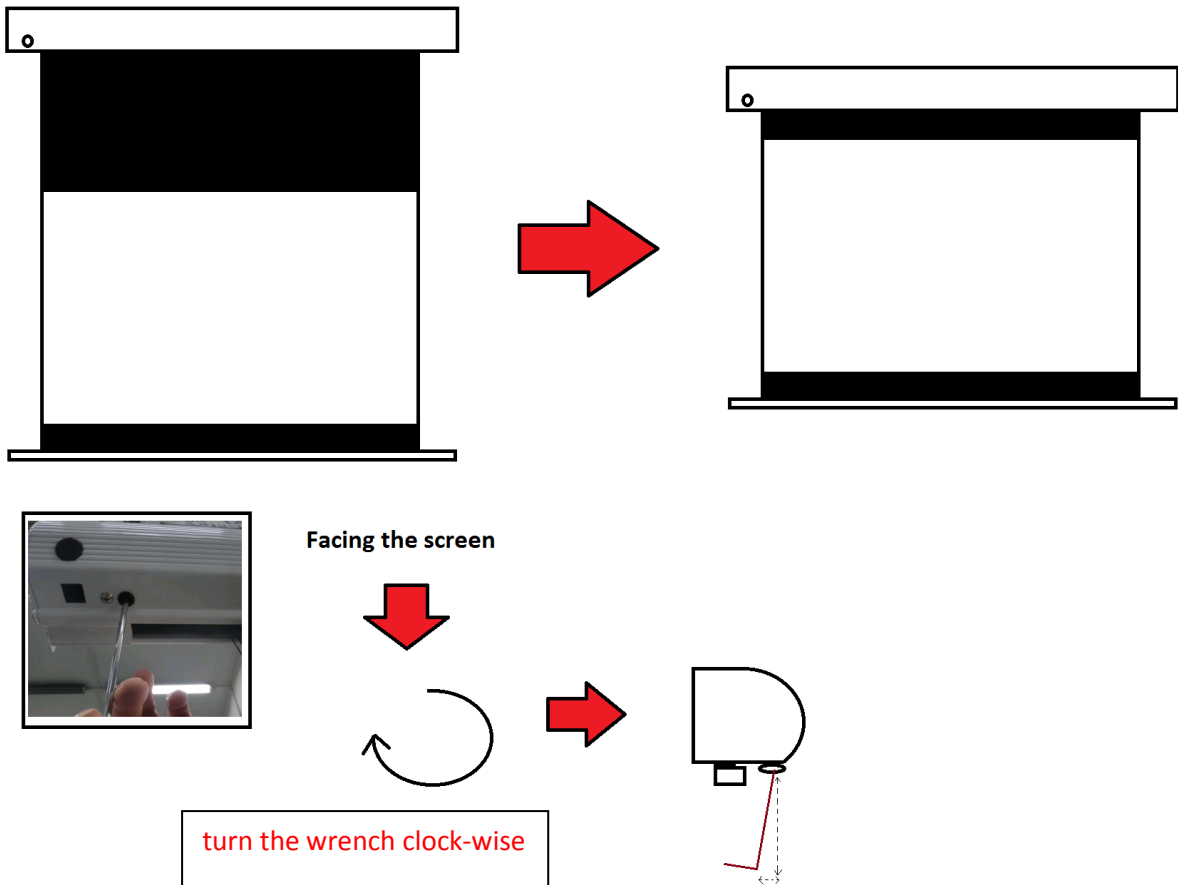
One full turn equals 1" of decreased drop. In order to notice the adjustment, retract and deploy the screen. Warning: Over adjusting the switch will damage the motor and void the warranty.

Note: As a rule, Elite Screens does not recommend making unnecessary adjustments to the screen, as improper adjustments will damage the unit. Please contact Technical Support for assistance @ (877) 511-1211

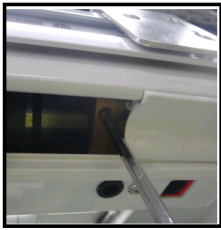
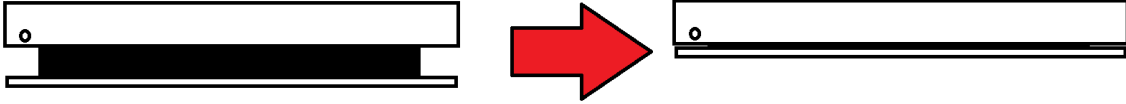
How to get a bigger top drop?



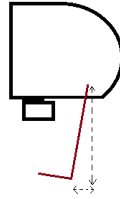
How to get a smaller top drop?



How to adjust the retraction of the screen (only if the screen does not fully retract)?

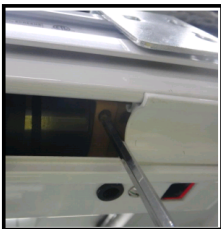


Facing the screen

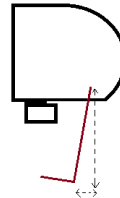


turn the wrench counter clock-wise

How to adjust the rise for a further retraction of the screen?



Facing the screen



turn the wrench clock-wise