

# TRENDnet<sup>®</sup>



---

Quick Installation Guide  
TV-IP318PI / TV-IP319PI (V1)

# Table of Contents

---

## **1 English**

1. Before You Start
2. Hardware Installation and Configuration

# 1. Before You Start

---

## Package Contents

- TV-IP318PI / TV-IP319PI
- Torx Security Allen Key (TV-IP319PI only)
- Quick Installation Guide
- Weather Seal

## Minimum Requirements

- A computer with an Ethernet port and web browser
- PoE network
- Network cable

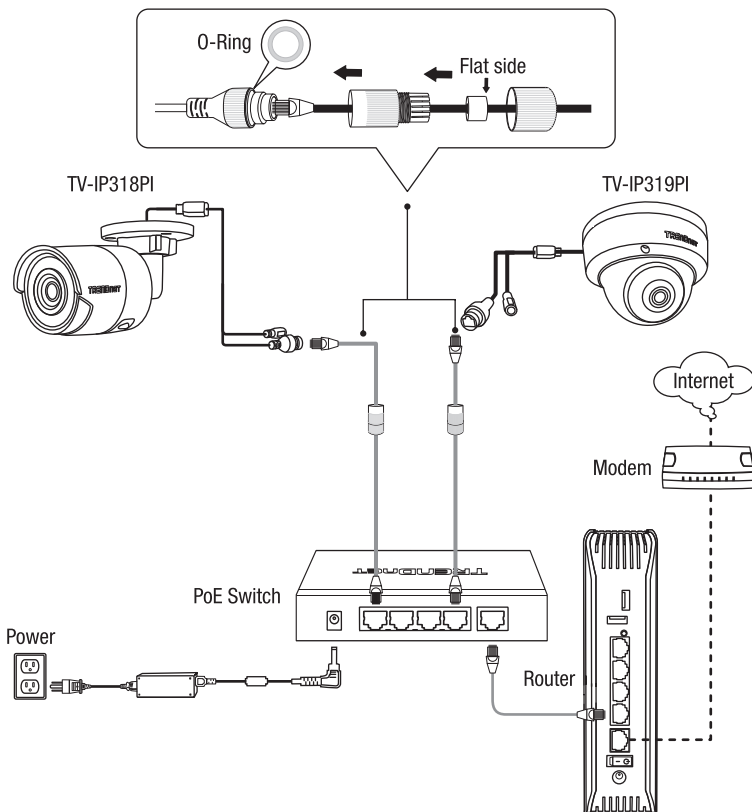
## Free Mobile App: TRENDnet IPView Requirements

Supported Operating Systems
Android (version 4.4 or above) iOS (version 8.2 or above)

## Using a PoE switch (TPE-S50)

### Note:

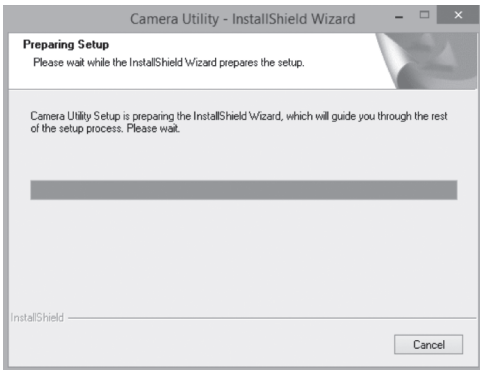
- Connect the TV-IP318PI / TV-IP319PI to your network using an existing 802.3af/at compliant PoE switch or injector.
- For outdoor installation, please configure weather seal (included) per the diagram below, you will have to terminate the RJ-45 connector after the weather seal has been applied.



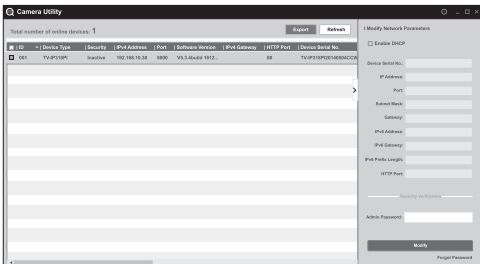
## 2. Hardware Installation and Configuration

1. Do not install or mount the IP camera until after you complete the installation steps below.  
Temporarily place the IP camera next to your computer.
2. Download the utility at <http://www.trendnet.com/camerautility>
3. Extract the file, install and run the camera utility.

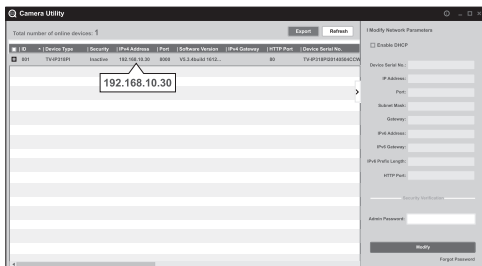
**Note:** Please see user's guide for Mac installation.



4. Run the utility and you will see your camera is set to Inactive under security.



5. After the utility has finished scanning, double click on the IP address section of the camera you would like to access.



**Note:** Internet Explorer or Google Chrome web browser is required for installation.

6. Once you get to the login page you will be prompted to change the password. Please follow the password requirements and enter your new password.



7. Now you can access the camera's configuration page for Live view and additional settings. For more details, please refer to the User's Guide from our website.

8. Scan the QR code below to download a free mobile app to view the camera from your iOS or Android device.



**Android**



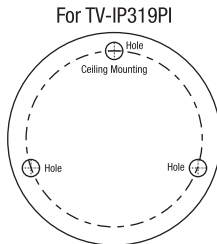
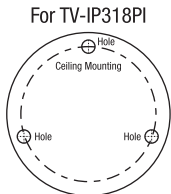
**iOS**

**Note:**

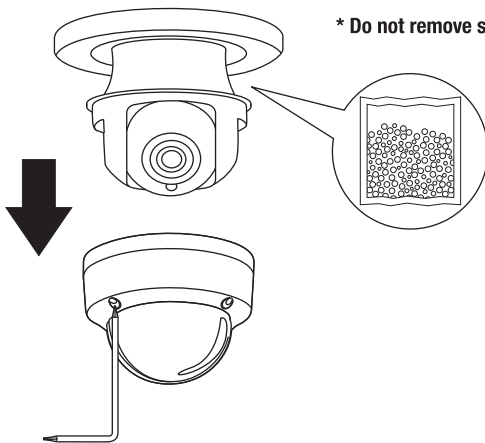
<b>Download</b>	<b>Link</b>
User's Guide	<a href="http://www.trendnet.com/support">www.trendnet.com/support</a>
Utility	<a href="http://www.trendnet.com/camerautility">www.trendnet.com/camerautility</a>
TRENDnetView Evo	<a href="http://www.trendnet.com/products/evo">www.trendnet.com/products/evo</a>
Mac plug-in	<a href="http://downloads.trendnet.com/mac-plugin/webcomponents.pkg">downloads.trendnet.com/mac-plugin/webcomponents.pkg</a>

## Mounting the camera

1. Place the provided template label on the wall or ceiling.

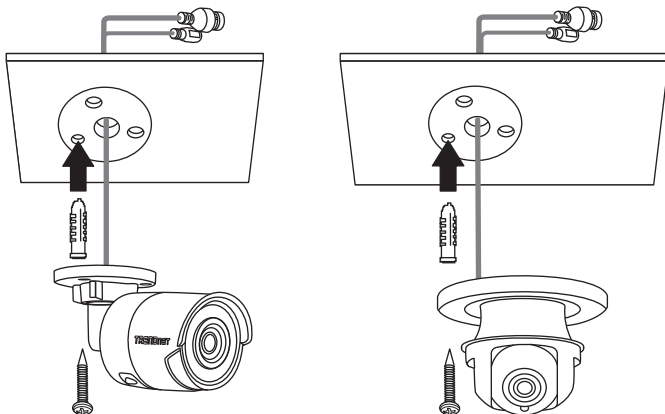


2. Drill holes at each marked position on the template. Make sure the drill bit matches the size of the holes on the template.
3. (Dome) Remove the dome cover using the provided Torx security allen key.

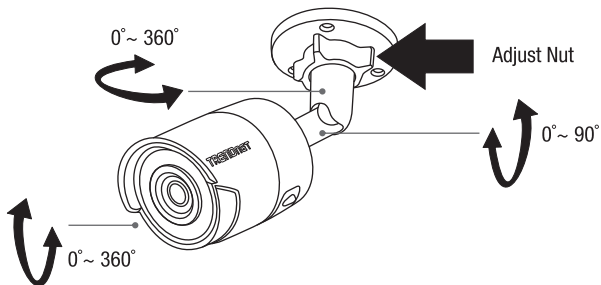




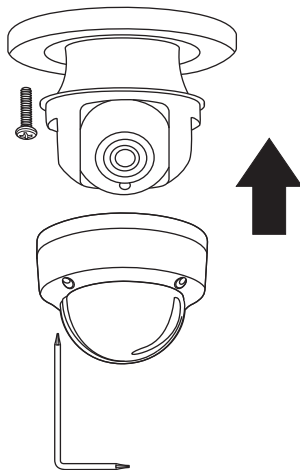
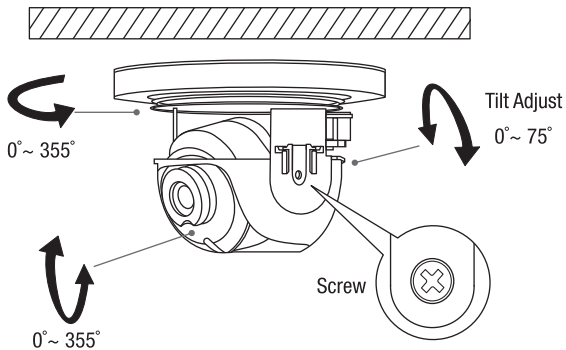
4. Insert the screw anchors into the holes, and align the mounting base over them. Then use the provided screws to secure the camera to the mounting surface.



4A. Bullet: Manually adjust your camera to the desired viewing position.



4B. Dome: Manually adjust your camera to the desired viewing position. When finished, attach the dome cover back on the dome using the Torx security allen key.



# Declaration of Conformity

TRENDnet<sup>®</sup>

## Manufacturer's Name and Address

TRENDnet, Inc.  
20675 Manhattan Place  
Torrance, CA 90501 USA



Zwolsestraat 156 2587 WB  
The Hague The Netherlands

## Product Information

**Model Number:** TV-IP318PI / TV-IP319PI  
**Product Name:** Indoor/Outdoor 8MP 4K H.265 WDR PoE IR Bullet Network Camera  
Indoor/Outdoor 8MP 4K H.265 WDR PoE IR Dome Network Camera

**Trade Name:** TRENDnet

TRENDnet hereby declare that the product is in compliance with the essential requirements and other relevant provisions under our sole responsibility.

## EMC

EN 55022: 2010 + AC: 2011 Class A  
EN 61000-3-2: 2006 + A1: 2009 + A2: 2009  
EN 61000-3-3: 2008  
EN 50130-4: 2011 + A1: 2014

This product is herewith confirmed to comply with the Directives.

## Directives:

Directive LVD 2014/35/EU  
Directive EMC 2014/30/EU  
Directive RoHS 2011/65/EU  
REACH Règlement (EU) N° 1907/2006

Person responsible for this declaration.

Place of Issue: Torrance, California, USA

Date: August 30, 2017

Name: Sonny Su

Title: Director of Technology

Signature:

A handwritten signature in black ink, appearing to read 'Sonny Su', is written over a horizontal line.



## Certifications

This device complies with Part 15 of the FCC Rules. Operation is subject to the following two conditions:  
(1) this device may not cause harmful interference, and  
(2) this device must accept any interference received.  
Including interference that may cause undesired operation.



Waste electrical and electronic products must not be disposed of with household waste. Please recycle where facilities exist. Check with your Local Authority or Retailer for recycling advice.

Applies to PoE Products Only: This product is to be connected only to PoE networks without routing to the outside plant.

## Note

The Manufacturer is not responsible for any radio or TV interference caused by unauthorized modifications to this equipment. Such modifications could void the user's authority to operate the equipment.

## Advertencia

En todos nuestros equipos se mencionan claramente las características del adaptador de alimentación necesario para su funcionamiento. El uso de un adaptador distinto al mencionado puede producir daños físicos y/o daños al equipo conectado. El adaptador de alimentación debe operar con voltaje y frecuencia de la energía eléctrica domiciliaria existente en el país o zona de instalación.

## Technical Support

If you have any questions regarding the product installation, please contact our Technical Support.  
Toll free US/Canada: **1-866-845-3673**  
Regional phone numbers available  
at [www.trendnet.com/support](http://www.trendnet.com/support)

## TRENDnet

20675 Manhattan Place  
Torrance, CA 90501  
USA

## Product Warranty Registration

Please take a moment to register your product online. Go to TRENDnet's website at:  
[www.trendnet.com/register](http://www.trendnet.com/register)