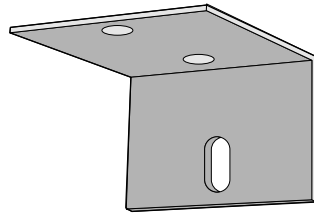


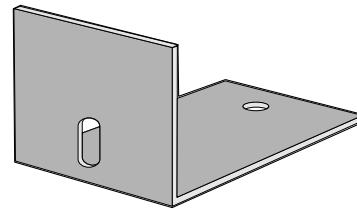
## NetShelter™ CX Accessories Installation Instructions

### AR4601 - Bolt Down Kit

#### Inventory

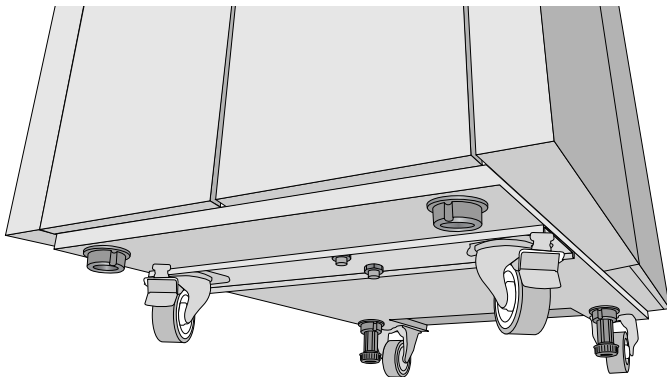


Part 1 (x1)

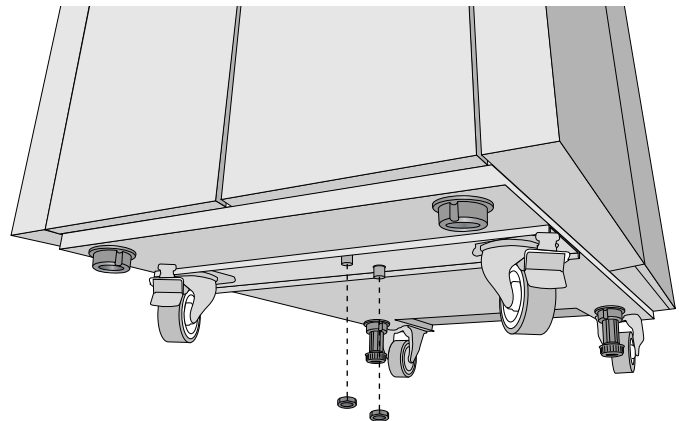


Part 2 (x1)

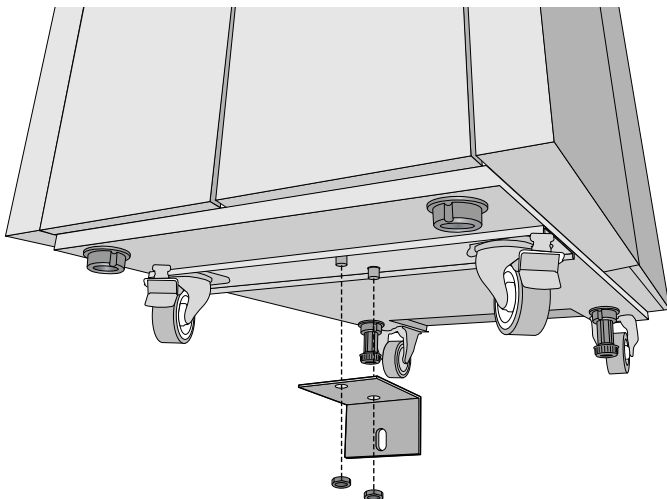
Locate the two available bolts & nuts as shown under the front of the NetShelter CX



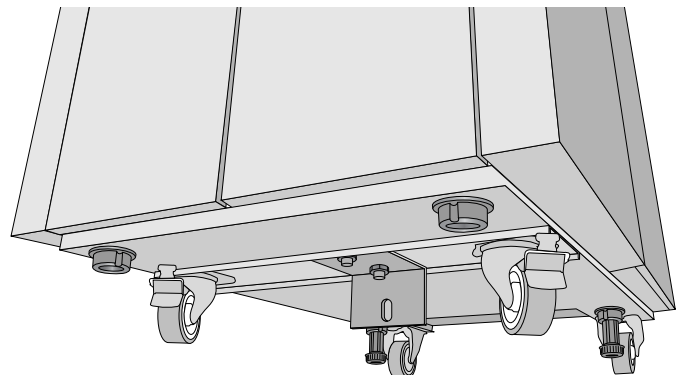
Remove the two nuts and put to one side



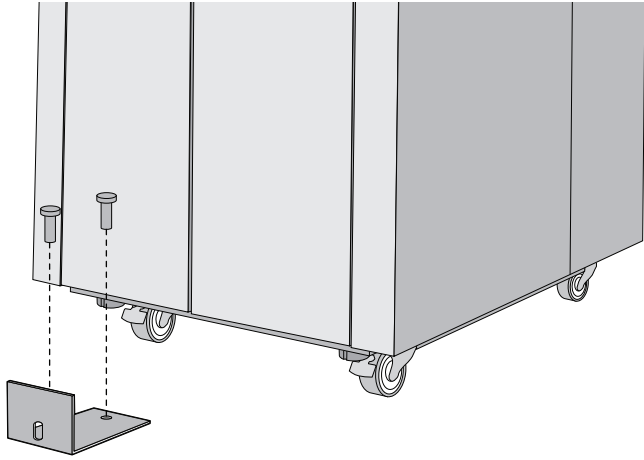
Slide Part 1 of the Bolt Down Kit into place over the bolts, ensuring the slotted vertical surface is to the rear.



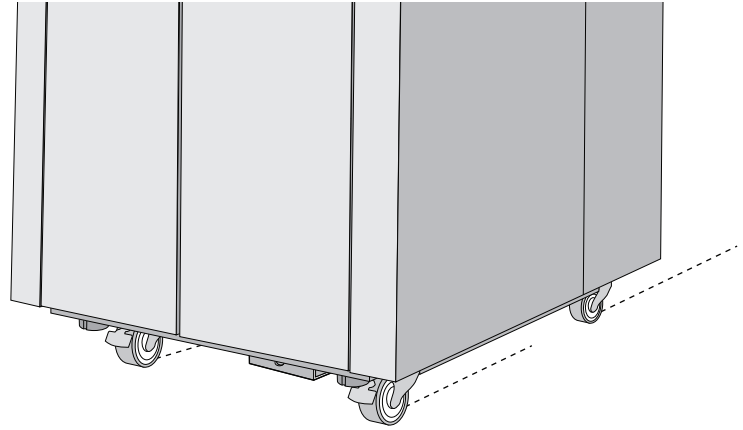
Re-fix the two nuts, leaving out the washers. Make sure the nuts are tight.



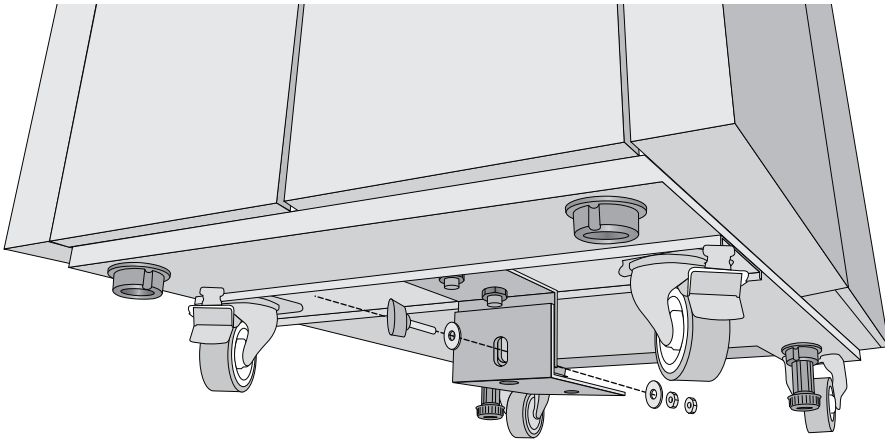
Fix Part 2 of the Bolt Down Kit to the floor using appropriate wood, masonry or machine screws.



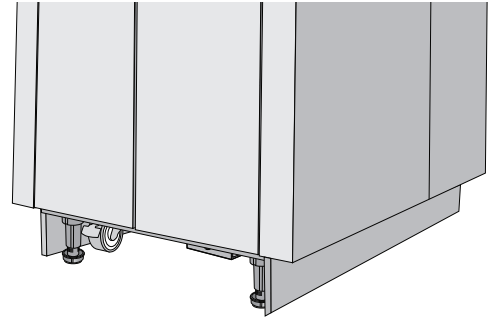
Wheel your CX into place such that the two Bolt Down Kit Parts meet and the slots line up.



Connect the two Parts together using either the Nuts, washers and winged bolt provided, or using a lock if you prefer.



Fit the stabilizing feet, and then the sides and front of the plinth apron into place.



Your CX is now locked into place.

Customer support and warranty information is available at the APC Web site, [www.apc.com](http://www.apc.com).

© 2011 American Power Conversion. All rights reserved. All APC trademarks are property of American Power Conversion. Other trademarks are property of their respective owners.

**990-5554**  
**11/2011**