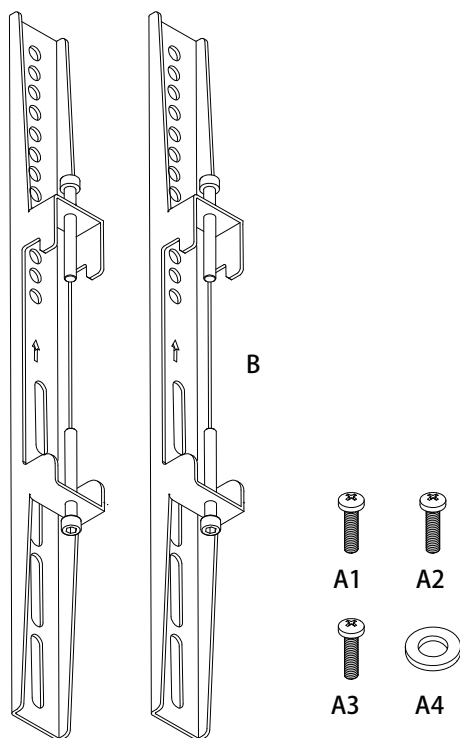


Technical summary

400mm Fixed Arms

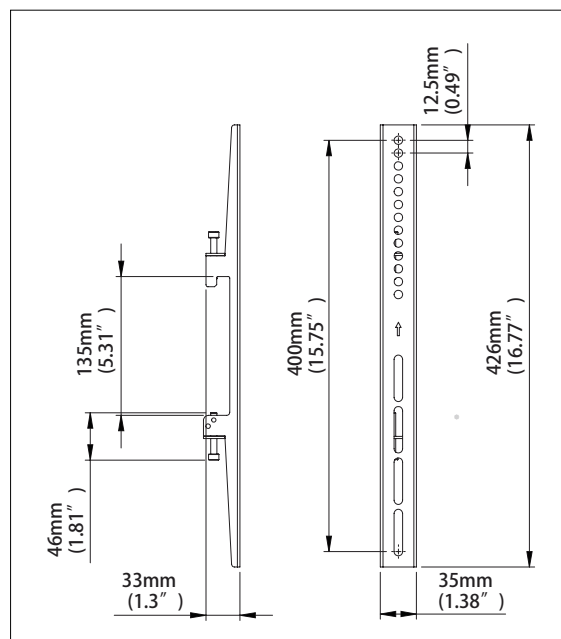
EAN: 7350073733736



COMPONENT CHECKLIST

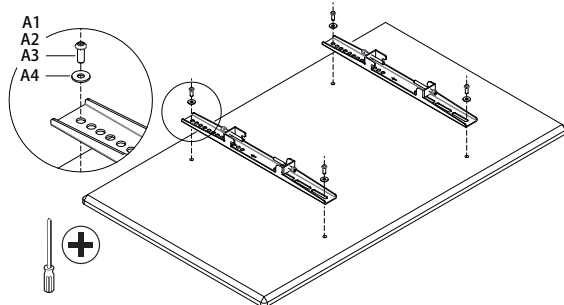
Item	Name	QTY
A1	M5 x 15mm Screw	4
A2	M6 x 15mm Screw	4
A3	M8 x 15mm Screw	4
A4	M6 Washer	4
B	Fixed Bracket	2

PRODUCT DIMENSIONS



INSTALLATION INSTRUCTION

1. Attach brackets to display



2. Mount display on rail

