



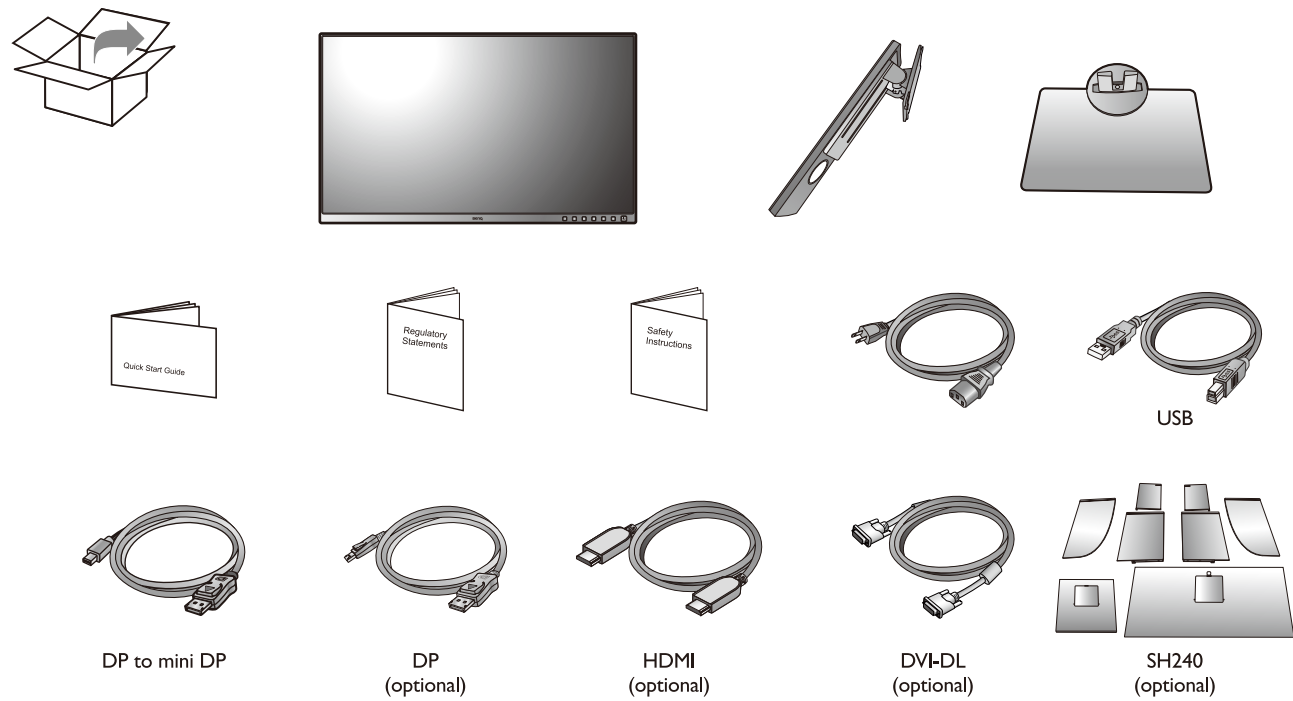
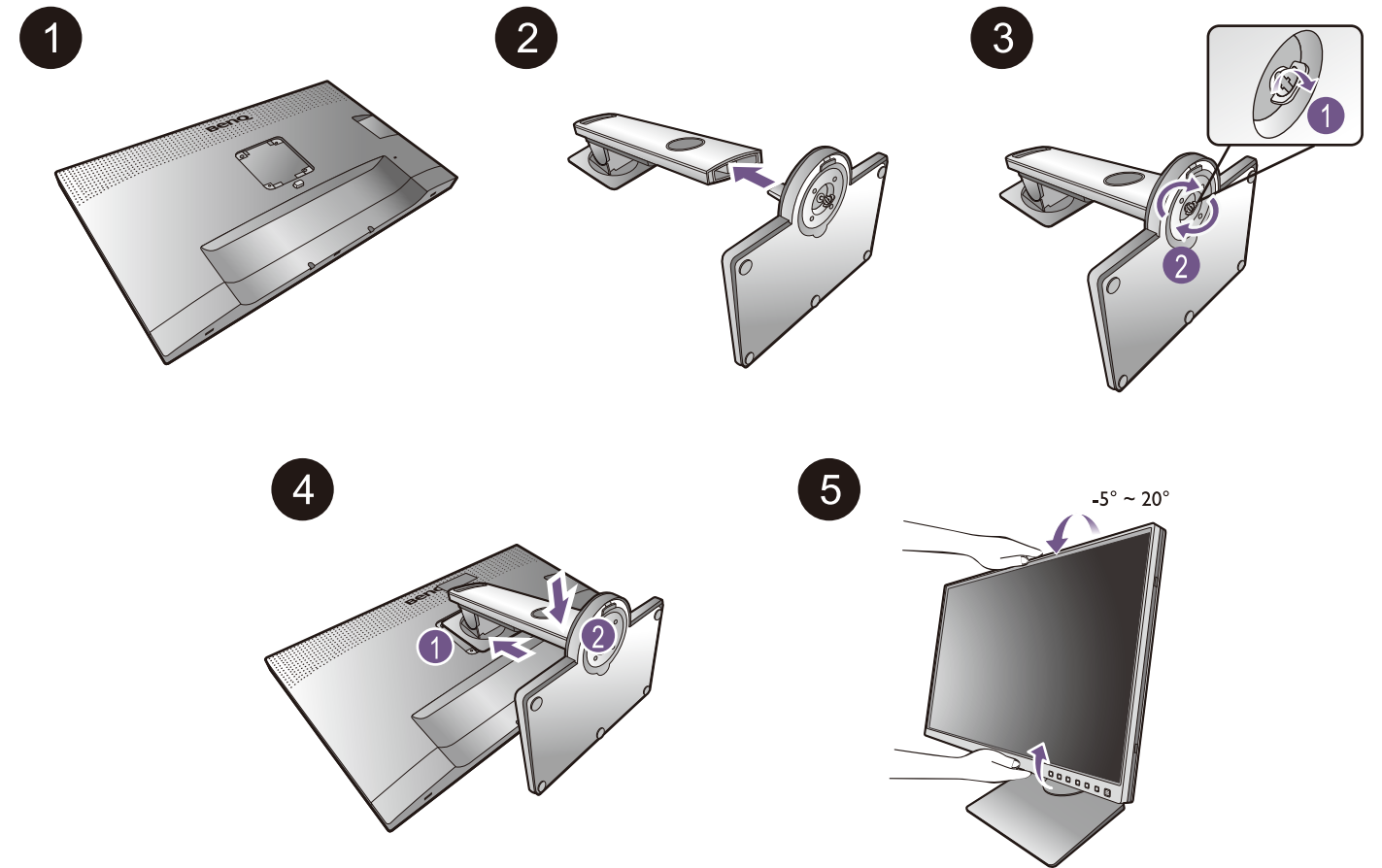
LCD Monitor Quick Start Guide

PhotoVue Photographer Monitor | SW Series



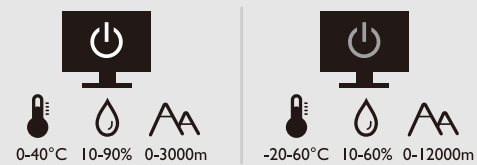
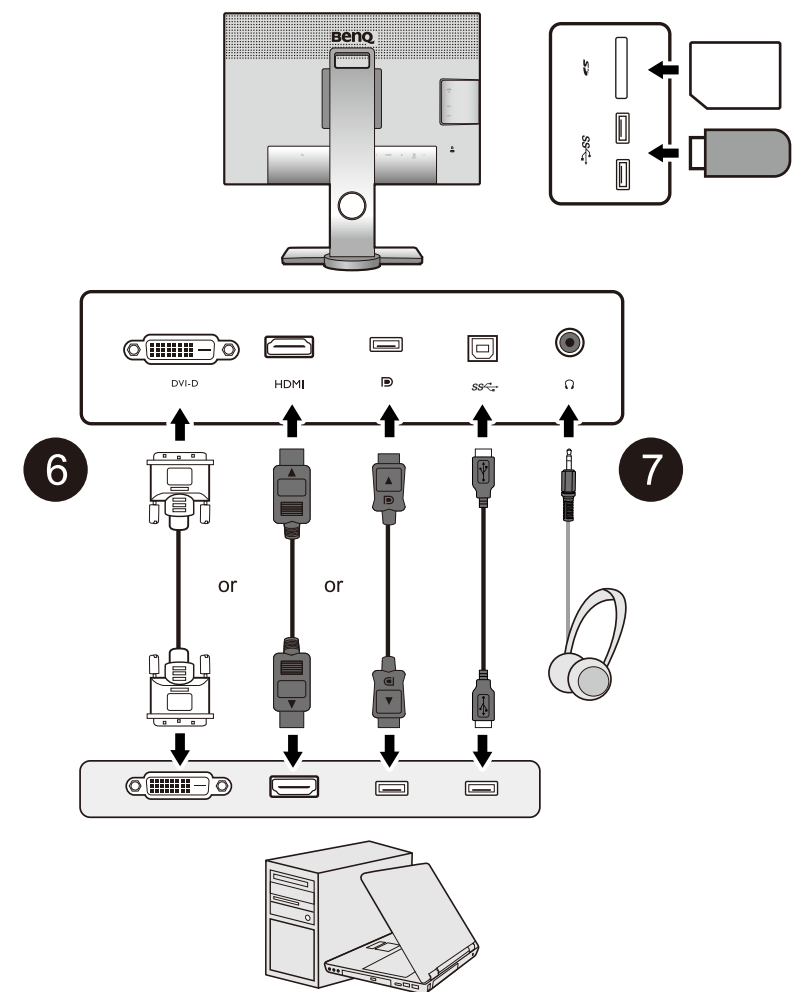
DN: SW240-EQ-V0

© 2020 BenQ Corporation. All rights reserved. Rights of modification reserved.



6 Video

7 Audio

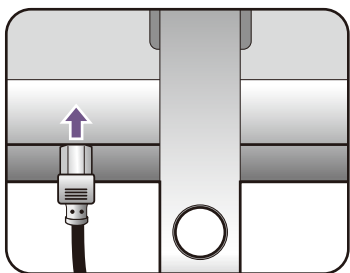


(For models with HDMI inputs)

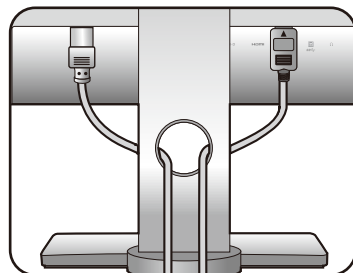


P/N: 4J.XXXXX.XXX

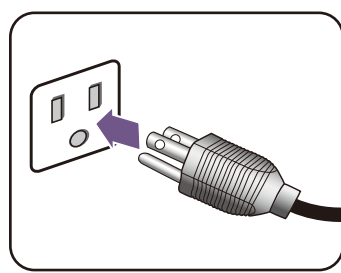
8



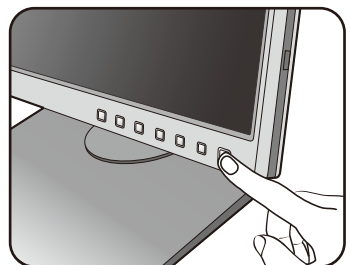
9



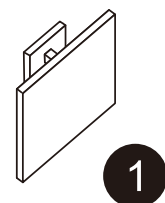
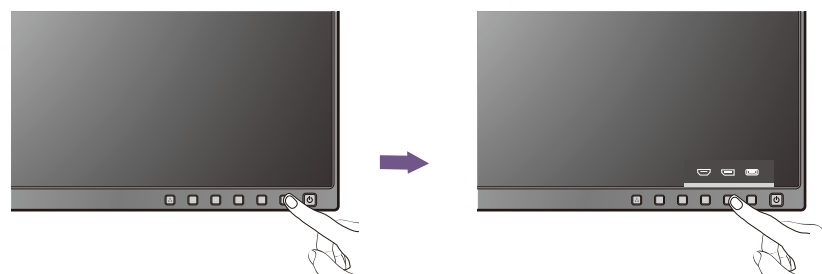
10



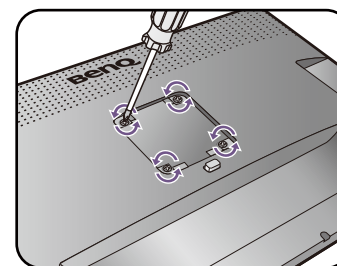
11



12

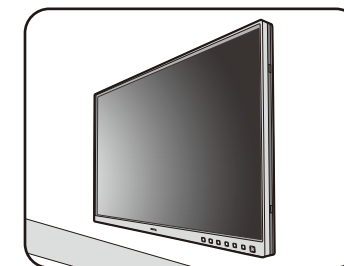


1

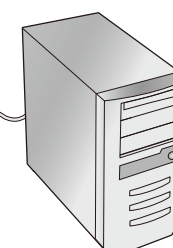
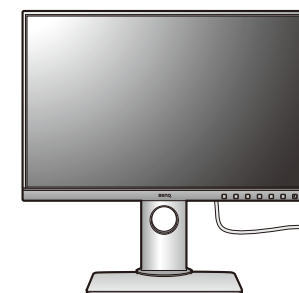


M4 x 10 mm

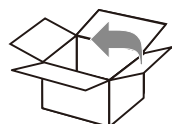
2



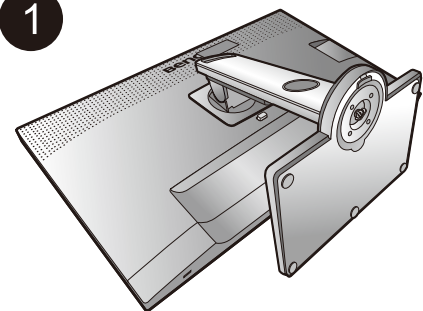
Palette Master Element



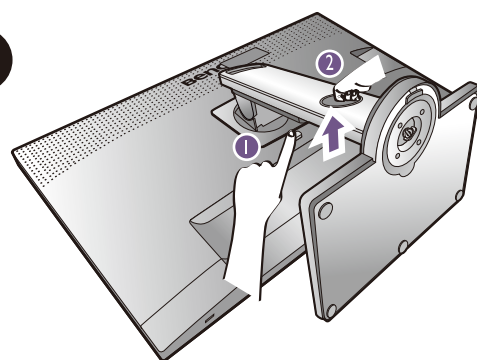
www.BenQ.com > SW240 Product Page > Download / Support



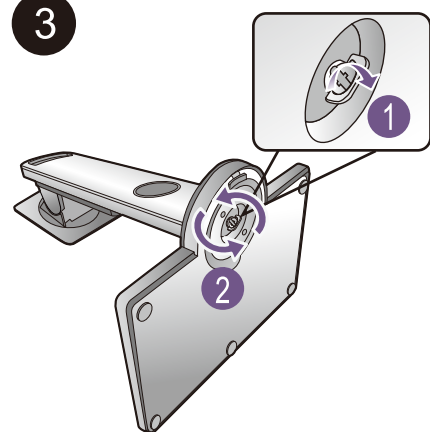
1



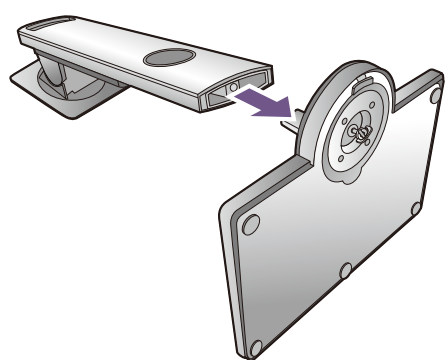
2



3



4



www.BenQ.com > Support > Download & FAQ > Model name > User Manual

For product support and more information.

Shading Hood

