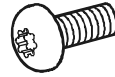


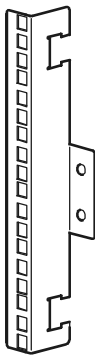
Equipment Support Rails (AR8006A)— Installation



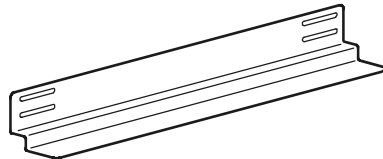
12



12



4



2



1

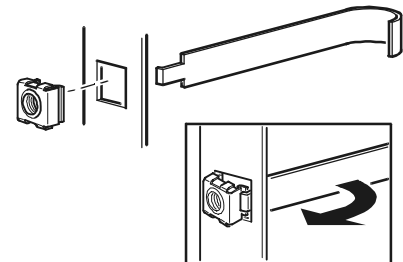
How to install and remove cage nuts

To install a cage nut:



Warning: Install the cage nut horizontally. Do not install the cage nut vertically with the sides of the cage nut engaging the top and bottom of the square hole.

1. Insert the cage nut into the square hole by hooking one side of the cage nut assembly through the far side of the hole.
2. Place the cage nut tool (provided) on the other side of the cage nut and pull to snap it into position.

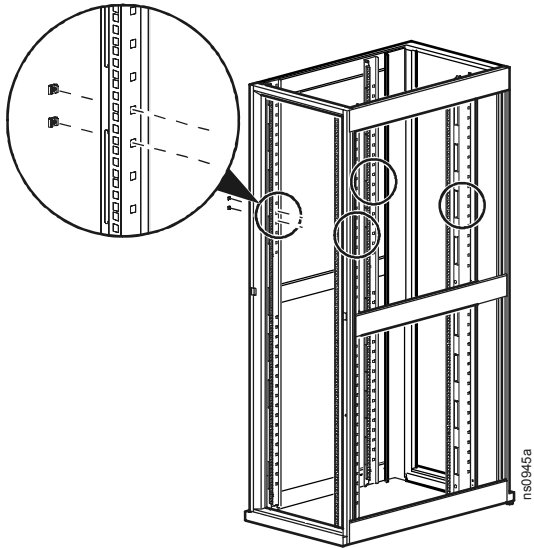


To remove a cage nut:

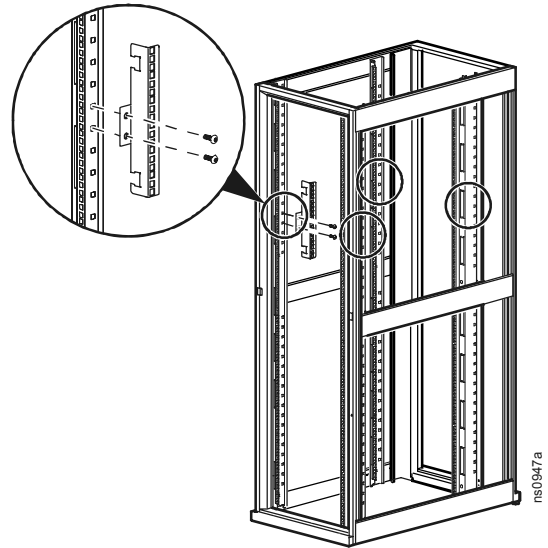
1. Remove any attached screw.
2. Grasp the cage nut and squeeze the sides to release it from the square hole.

Installation for NetShelter® SX enclosure

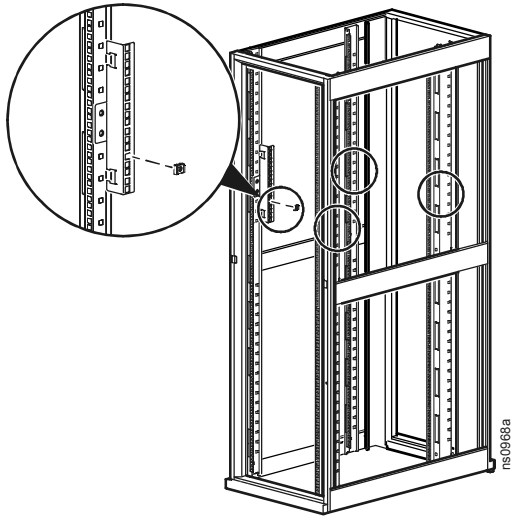
1



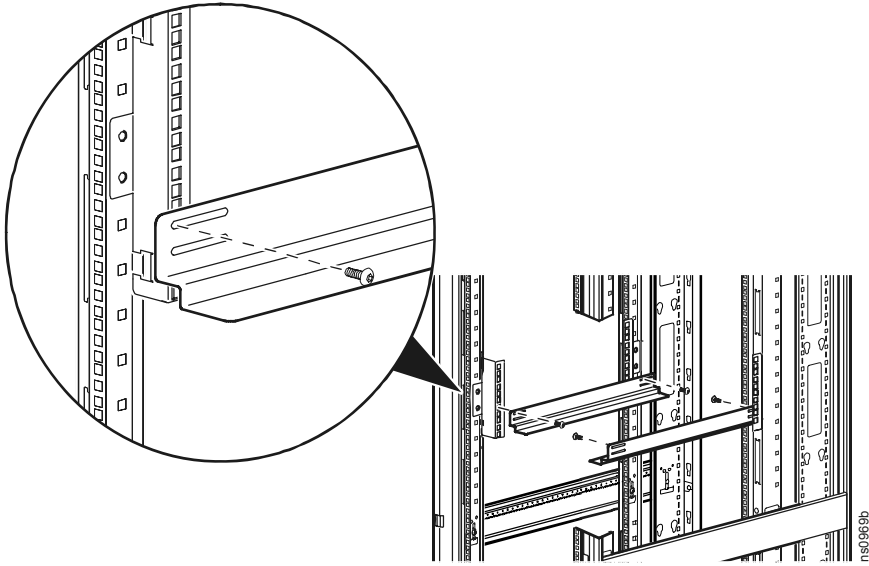
2



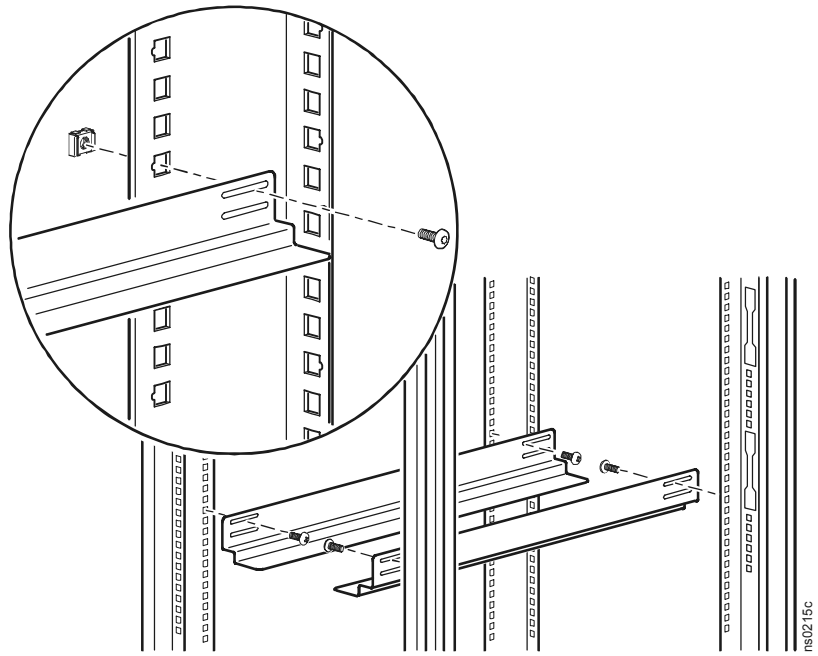
3



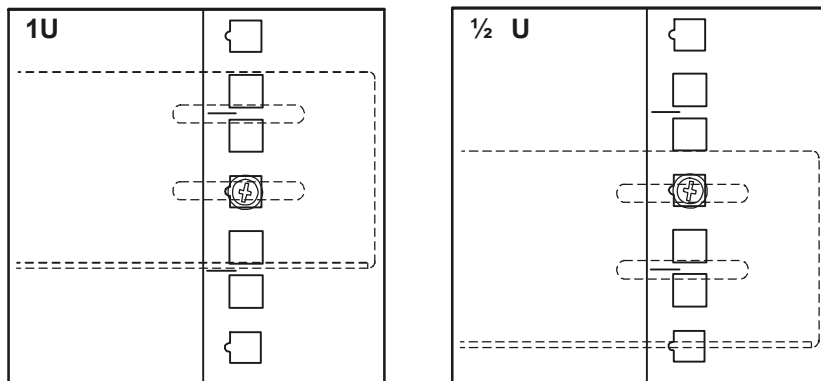
4



Installation for NetShelter VX enclosure



Installation options



This manual is available in English on the APC Web site (www.apc.com).

Dieses Handbuch ist in Deutsch auf der APC Webseite (www.apc.com) verfügbar.

Este manual está disponible en español en la página web de APC (www.apc.com).

Ce manuel est disponible en français sur le site internet d'APC (www.apc.com).

Questo manuale è disponibile in italiano sul sito web di APC (www.apc.com).

本マニュアル<各国の言語に対応する>はAPC ウェブサイト (www.apc.com)からダウンロードできます。

Instrukcja obsługi w języku polskim jest dostępna na stronie internetowej APC (www.apc.com).

Данное руководство на русском языке доступно на сайте APC (www.apc.com)

Bu kullanım klavuzunun Türkçesi APC web sayfasında (www.apc.com) mevcuttur.

在 APC 公司的网站上 (www.apc.com) 有本手册的中文版。

Este manual está disponível em português no site da APC (www.apc.com).



Customer support and warranty information is available at the APC Web site, www.apc.com.

© 2008 American Power Conversion. All rights reserved. All APC trademarks are property of American Power Conversion. Other trademarks are property of their respective owners.

990-1247C-001
01/2008

