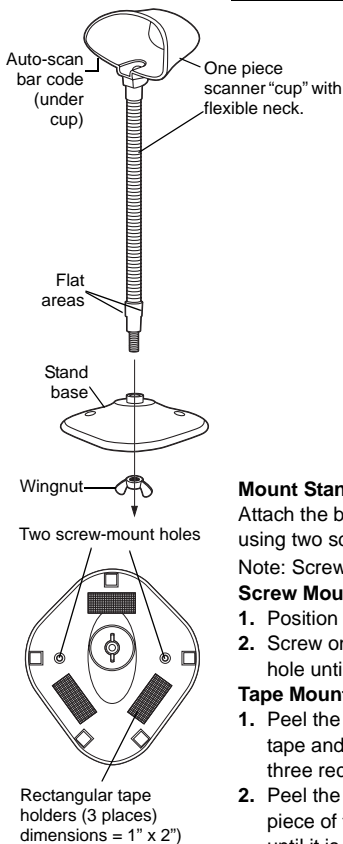


LS1203 Hands Free Stand

Assembly Instructions



Assemble the Stand

1. Unscrew the wingnut from the bottom of the flexible neck.
2. Fit the bottom of the neck piece into the opening on the top of the stand base. When positioned correctly, the flat areas of the neck piece fit into place in the stand base opening.
3. Tighten the wingnut underneath the base to secure the cup and neck piece to the base.
4. Bend the neck to the desired position for scanning.

Set Auto-scan Mode

To enable hands free scanning, scan the **Auto-scan Mode** bar code on the back of the cup to set the scanner to auto-scan mode.

Mount Stand (Optional)

Attach the base of the scanner stand to a flat surface using two screws or double-sided tape.

Note: Screws and double-sided tape are not provided.

Screw Mount

1. Position the assembled base on a flat surface.
2. Screw one #10 wood screw into each screw-mount hole until the base of the stand is secure.

Tape Mount

1. Peel the paper liner off one side of each piece of tape and place the sticky surface over each of the three rectangular tape holders.
2. Peel the paper liner off the exposed sides of each piece of tape and press the stand on a flat surface until it is secure.



72-97328-01 Revision A - February 2007

Motorola, One Symbol Plaza, Holtsville, N.Y.11742-1300

<http://www.symbol.com>

