

INSTALLATION GUIDE

Konftel 800 Ceiling Mount kit



DESCRIPTION AND PACKING LIST

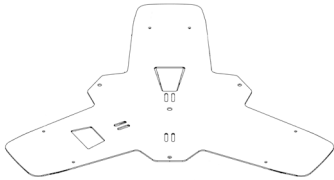
Description

The Konftel 800 Ceiling Mount Kit is used to position Konftel 800 in ceilings, for clean tables and fits many different room configurations. The Konftel 800 bracket has a ¼" UNC hole for assembly of the included distance rod and ceiling bracket. As an alternative to the distance rod and ceiling bracket, any ¼" UNC compatible mounting system can be used with the Konftel 800 bracket.

For more help and guidance, contact Konftel support, konftel.com/support.

For more information about Konftel 800 and accessories visit www.konftel.com.

Packing list



Konftel 800 bracket



Ceiling bracket



**Distance rod
(including grub screw)**



**Screw A
(4 pcs)**



**Screw B
(2 pcs)**

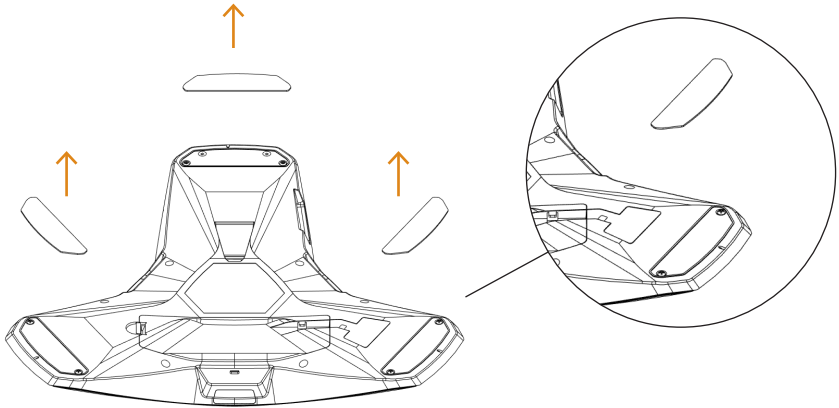


**Distance rubbers
(3 pcs)**

INSTALLATION

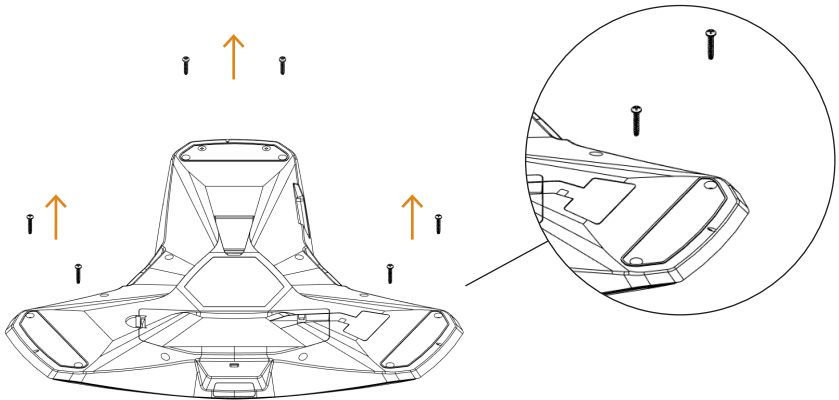
Step 1

Remove the three rubber feet.



Step 2

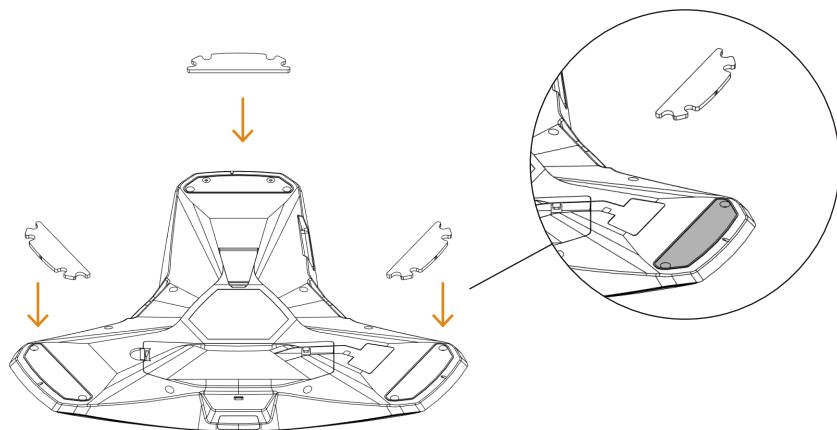
Carefully remove the six screws located under the rubber feet.



INSTALLATION

Step 3

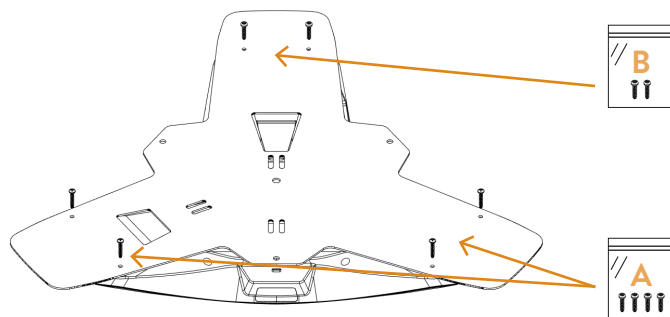
Assemble the three included rubber distances within the correct recess areas.



Step 4

Assemble the bracket with screws.

NOTE! Position the bracket correctly. Make sure the correct screw (A/B) is used for the right position, as shown below.

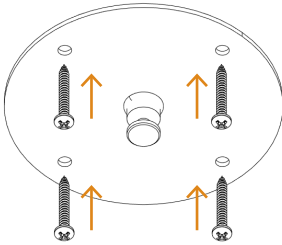


In order to avoid vibrations, make sure the bracket is assembled tight and that there is no gap between top and bottom cabinet of Konftel 800.

INSTALLATION

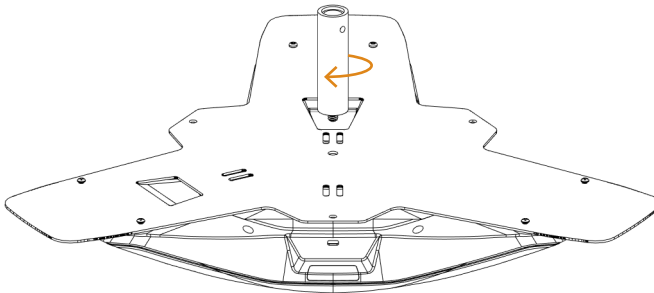
Step 5

Mount the ceiling bracket (select screws, and if needed mounting plugs, appropriate for the material in ceiling).



Step 6

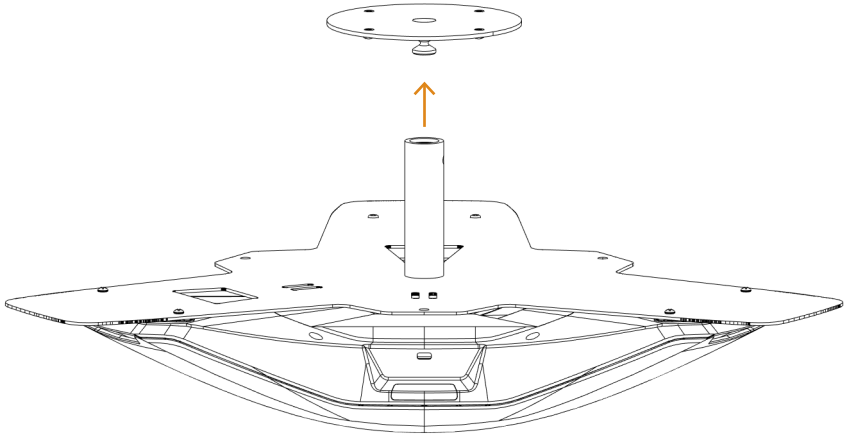
Assemble the distance rod and the Konftel 800 bracket.



INSTALLATION

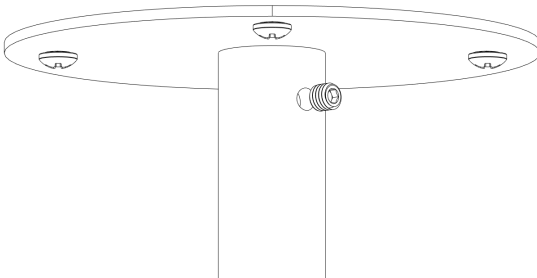
Step 7

Assemble the distance rod and the ceiling bracket.



Step 8

Lock the distance rod to the ceiling bracket with use of the grub screw.



Installation of the Konftel 800 Ceiling Mount Kit is finished.

CABLES FOR GREATER FLEXIBILITY

Konftel Reach USB 5+15 m

Konftel Reach USB 5+15 comprises active optical cables that provide more opportunities for installations in meeting rooms. The two cables combined measure 20 meters.

They are used to replace USB cables connected between the Konftel OCC Hub, the Konftel conference camera and a user's laptop. Konftel Reach enables longer distances between the parts in the BYOM video solution and neater, hidden cable routing in the meeting room.

What's in the box: One 5 m Konftel Reach active optical cable, one 15 m Konftel Reach active optical cable and an installation guide.

Connections: USB 3.0, type A male to type B male

Item number: 900102163



Konftel Daisy-chain Cables

Konftel Daisy-chain Cables are used to connect a series of up to three Konftel 800 devices via the ports for audio expansion. This extends both the sound distribution and pick-up range for maximum coverage. The pack contains two cables, 5+10 meters.

What's in the box: Cable 5 m, cable 10 m

Connections: Modular 6/6 plug.

Power: Each Konftel 800 is powered by its own PoE injector or network PoE.

Item number: 900102152



Konftel is a leading company within collaboration endpoint solutions. Since 1988, our mission has been to help people in businesses around the world to have meetings regardless of distance. Based on our success, we know that remote collaboration is a smooth way to save time, money and at the same time contribute to a more sustainable world.

Crystal clear audio and a sharp video image are essential for efficient meetings, this is why we only focus on cutting-edge technology in our Collaboration Solutions.

Our audio technology OmniSound® is built into all Konftel Conference phones and devices. The products are sold globally under the Konftel brand and our headquarter is based in Sweden.

Read more about the company and our products at [konftel.com](https://www.konftel.com).

Konftel AB, Box 268, SE-901 06 Umeå, Sweden

Tel: +46 90 70 64 89 **E-mail:** info@konftel.com